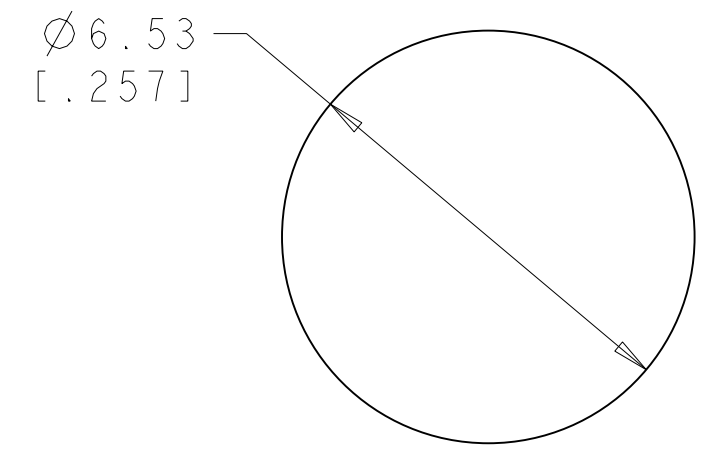
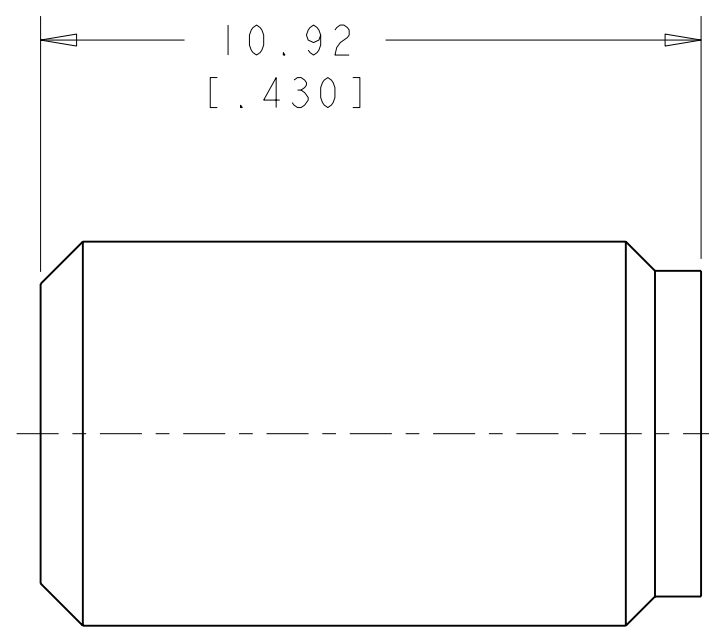
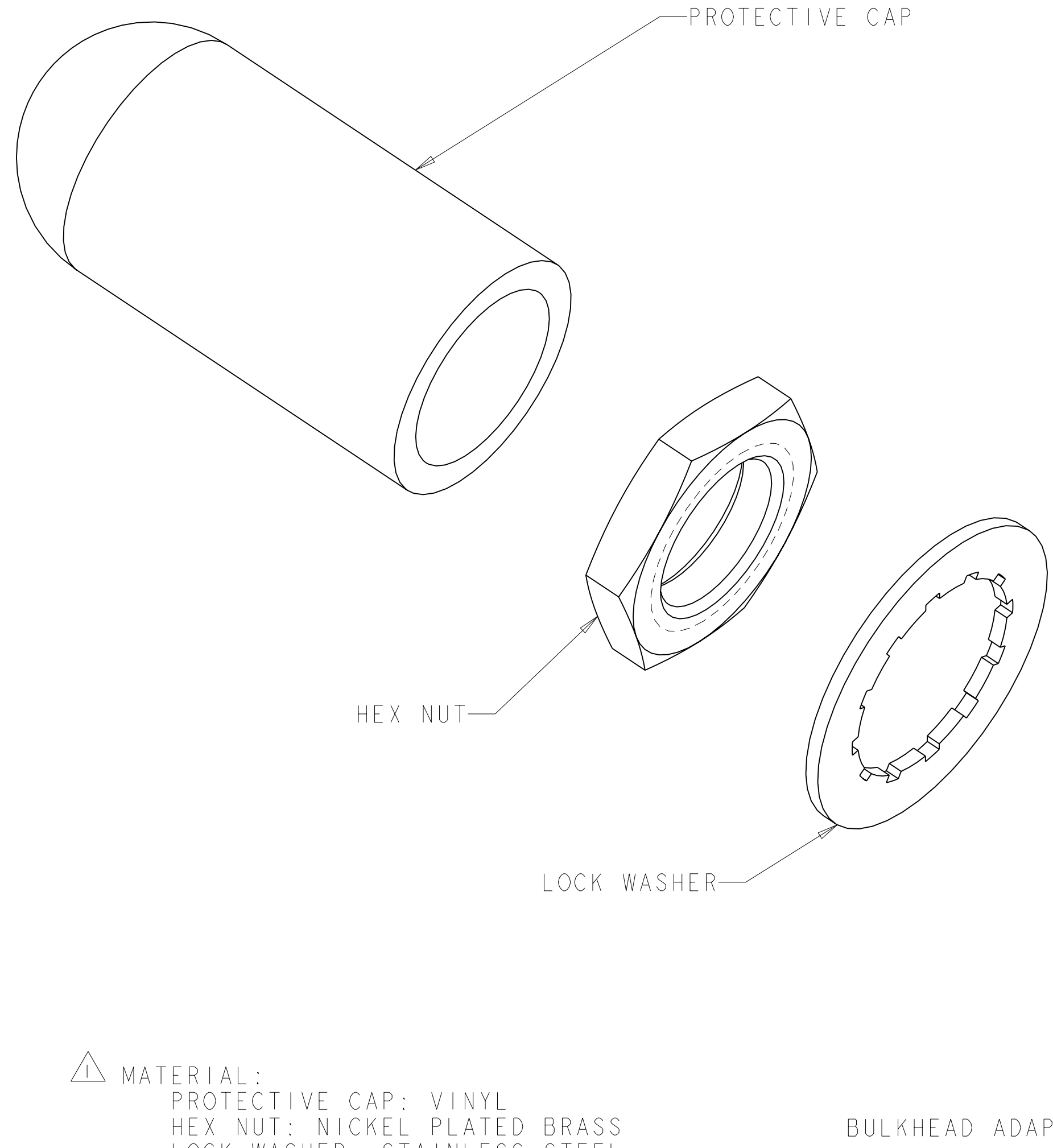


THIS DRAWING IS UNPUBLISHED. RELEASED FOR PUBLICATION 20  
 © COPYRIGHT 20 BY TYCO ELECTRONICS CORPORATION. ALL RIGHTS RESERVED.

LOC		DIST		REVISIONS			
P	LTR	DESCRIPTION	DATE	DWN	APVD		
CE	00	H	REVISE PER ECR-05-009613	30SEP2005	BB	LS	



⚠ MATERIAL:  
 PROTECTIVE CAP: VINYL  
 HEX NUT: NICKEL PLATED BRASS  
 LOCK WASHER: STAINLESS STEEL  
 BULKHEAD ADAPTER: STAINLESS STEEL

504031-1  
 PART NUMBER

THIS DRAWING IS A CONTROLLED DOCUMENT FOR TYCO ELECTRONICS CORPORATION IT IS SUBJECT TO CHANGE AND THE CONTROLLING ENGINEERING ORGANIZATION SHOULD BE CONTACTED FOR THE LATEST REVISION.		DWN B. BRIGGS	30SEP2005	Tyco Electronics Harrisburg, PA 17105-3608	
DIMENSIONS: INCHES		CHK L. SAUERWEIN	30SEP2005	NAME BULKHEAD ASSEMBLY, FSMA ADAPTER	
TOLERANCES UNLESS OTHERWISE SPECIFIED:		APVD S. BUCHTER	30SEP2005	PRODUCT SPEC -	
0 PLC ± 1 PLC ± 2 PLC ±0.13(.005) 3 PLC ± 4 PLC ± ANGLES ±		APPLICATION SPEC -		RESTRICTED TO -	
MATERIAL ⚠	FINISH -	WEIGHT -	SCALE 5:1	SHEET 1	OF 1
CUSTOMER DRAWING			SIZE A2	CAGE CODE 00779	DRAWING NO C=504031
			REV H		